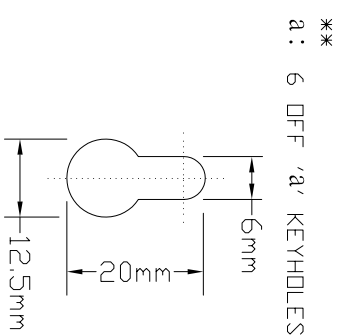
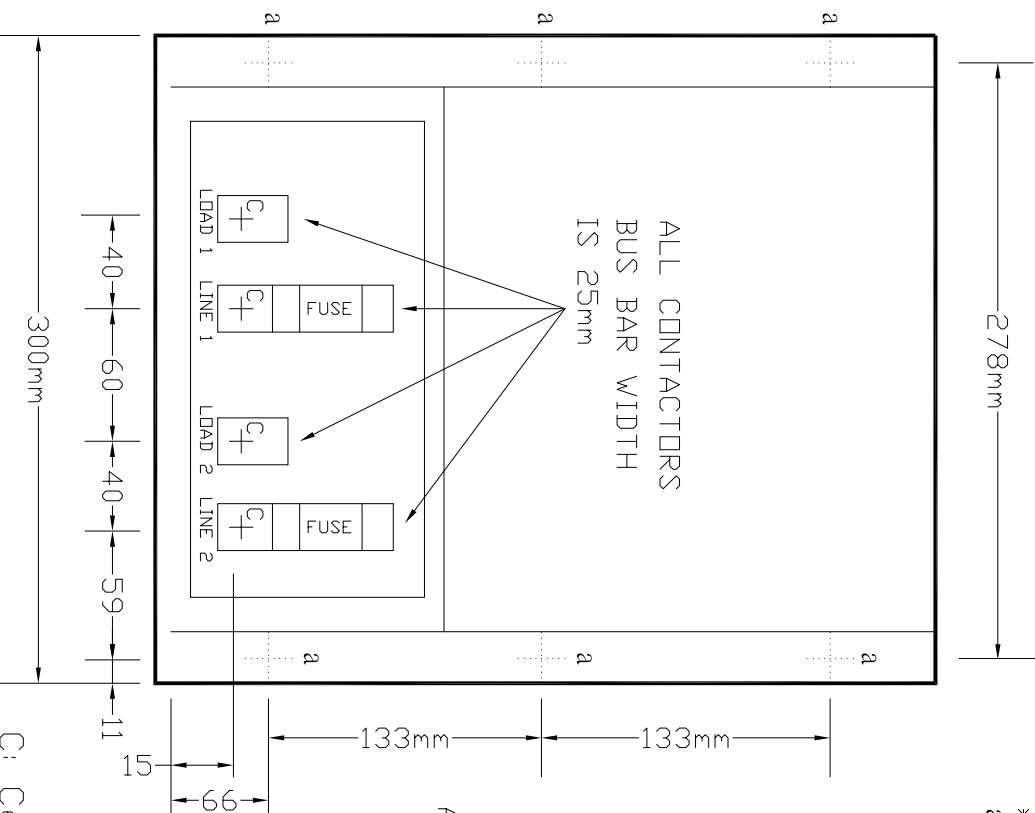
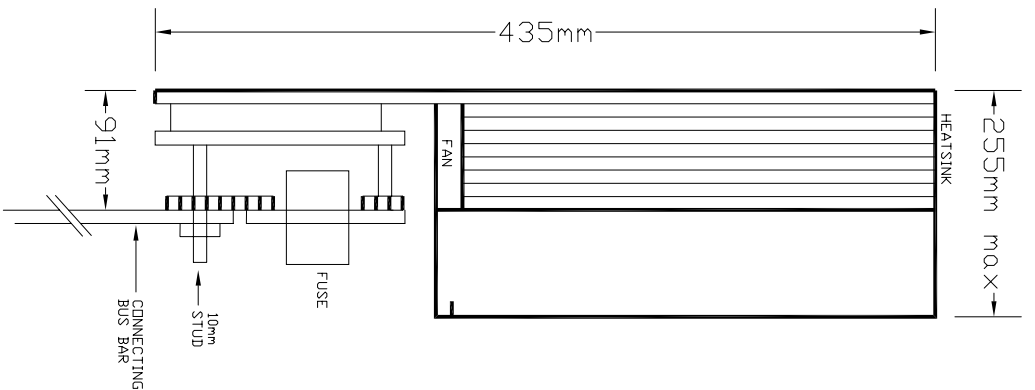


DIMENSIONS OF THM288 & THM360



a : 6 DFF 'a' KEYHOLES

Air flow
axis

ALL HEAVY CURRENT CONNECTIONS ARE VIA 10mm STUD CONNECTORS
PLEASE USE HEAVY DUTY CRIMP TERMINALS

C: Centre of the stud connector

POWERLINK / CARRERA

ISSUE	AMENDMENT	MADE BY	DATE	DESIGNED BY	DATE	CLIENT	TITLE
				Y. SUN TANG	21 MAY 2002		DIM. FOR THM288 & THM360.
SCALE:	CHECKED BY	APPROVED BY	DATE	PROJECT No.:			
				SHEET : 1 of 1			
DRAWING No.:							CD60596A
PROJECT No.:							R