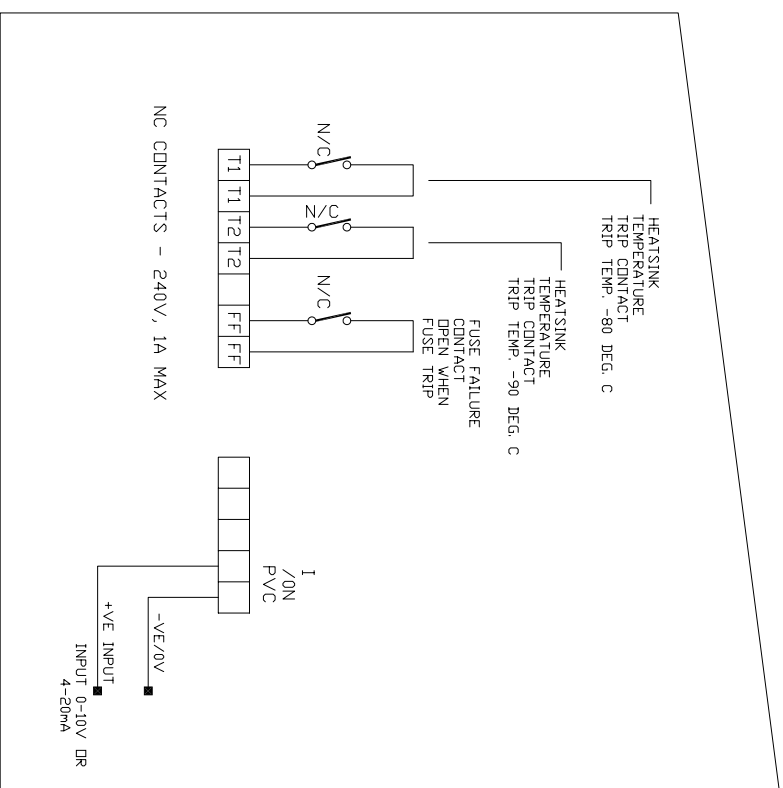
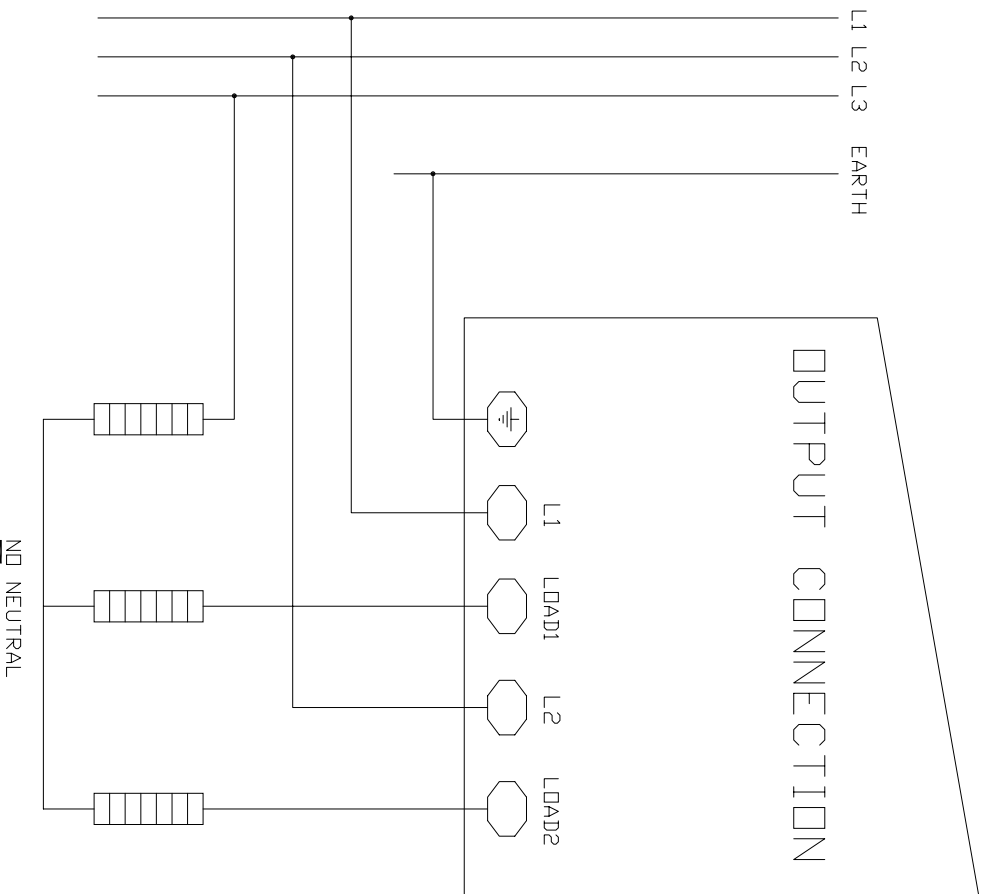


THMXXXXF



POWERLINK / CARRERA

DESIGNED BY	DATE
DRAWN BY	DATE
CHECKED BY	DATE
APPROVED BY	DATE
SCALE:	SHEET : 1 of 1

CLIENT	TITLE
PROJECT No:	THMXXXXF WIRING DIAGRAM
A3	DRAWING No: CD60608A
R	