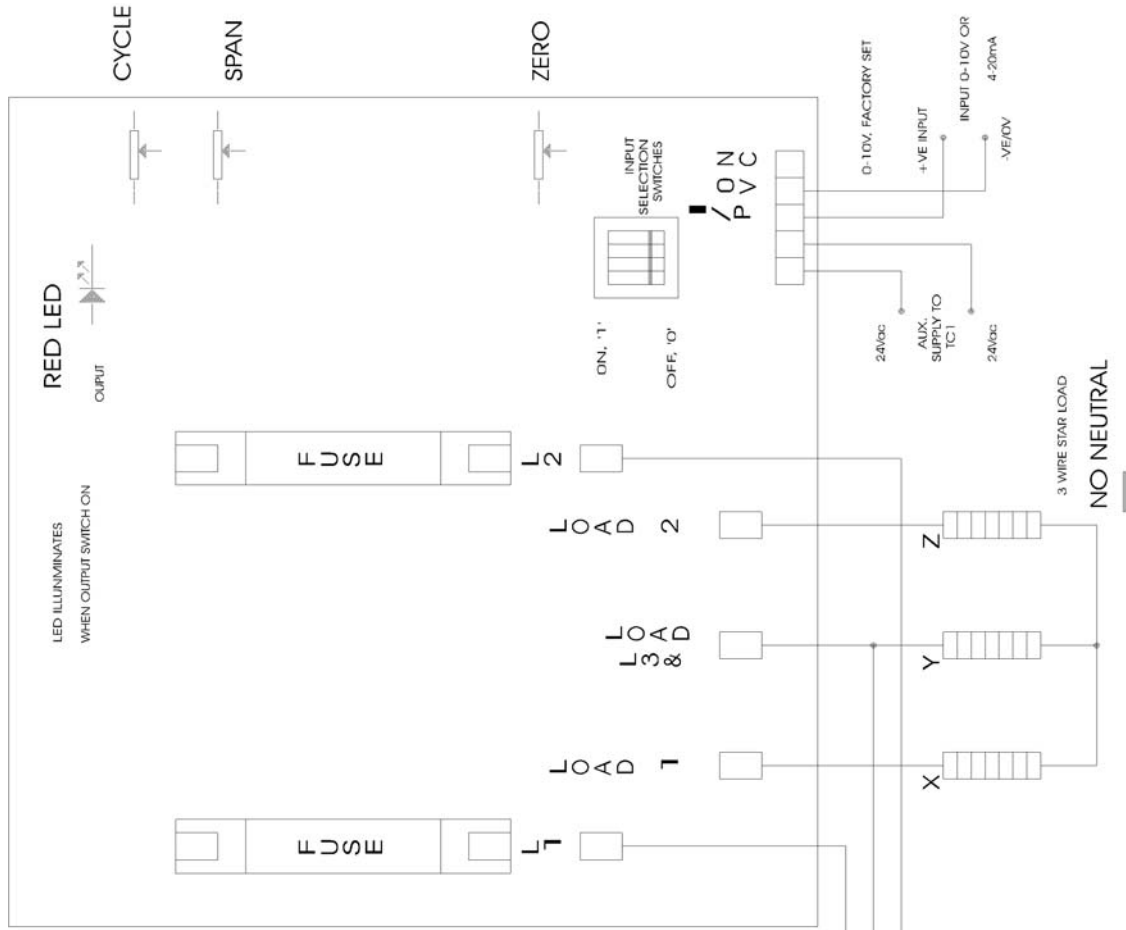


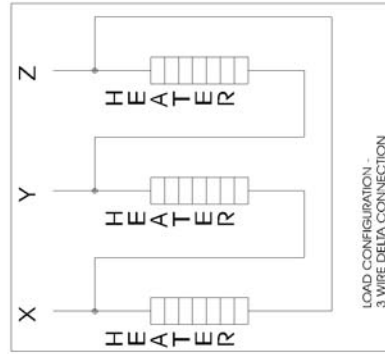
# ERC28, 36, 60 & 90 WIRING DIAGRAM

INPUT SIGNAL	INPUT SWITCHES			
	SW1	SW2	SW3	SW4
0-5V	0	1	0	1
0-10V	0	1	0	0
0-20V	0	0	0	0
4-20mA	1	1	1	1



380V TO 415VAC

L1 L2 L3



LOAD CONFIGURATION - 3 WIRE DELTA CONNECTION

3 WIRE STAR LOAD  
NO NEUTRAL